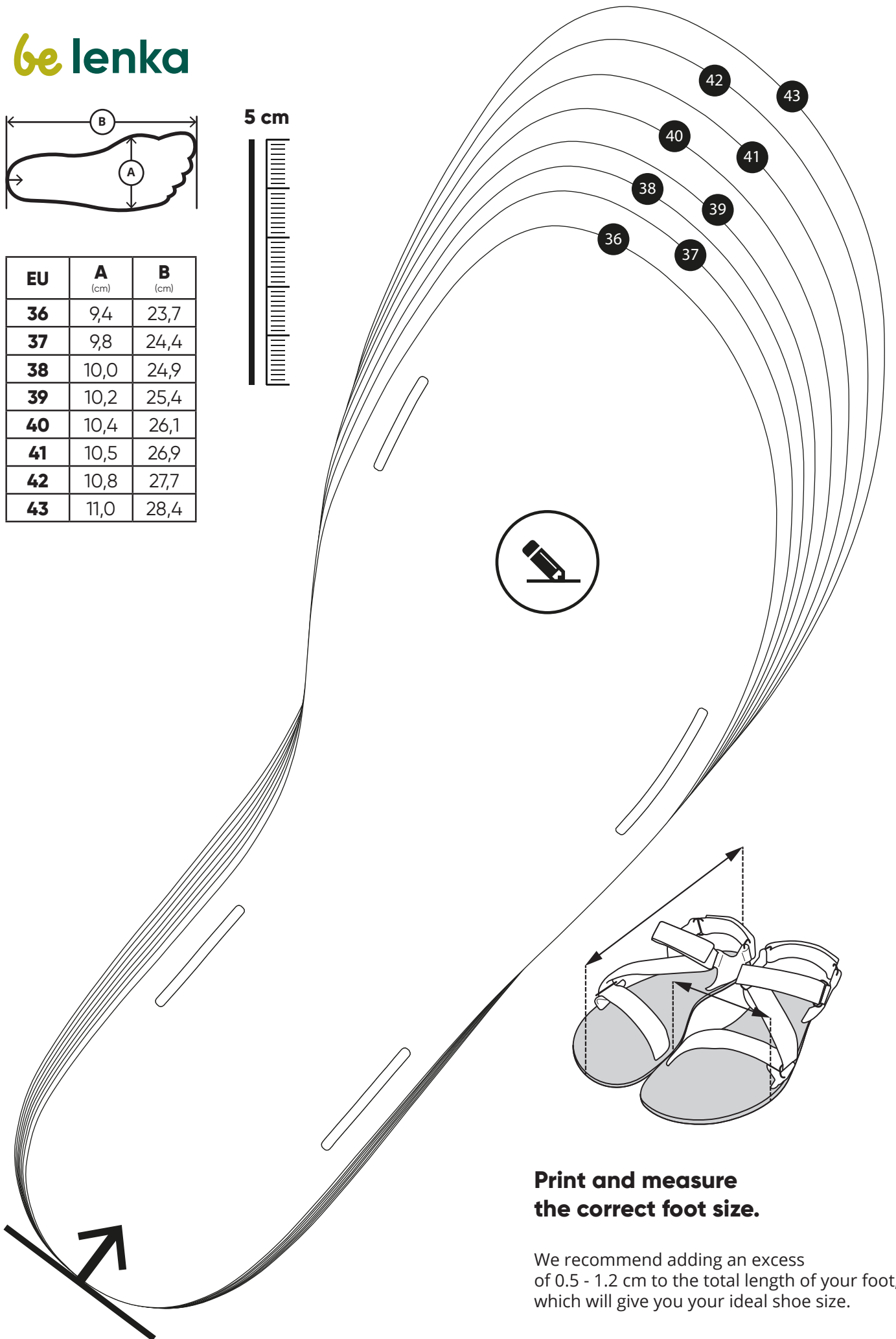


5 cm

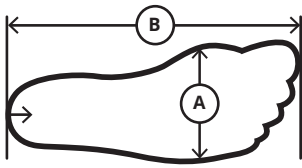


EU	A (cm)	B (cm)
36	9,4	23,7
37	9,8	24,4
38	10,0	24,9
39	10,2	25,4
40	10,4	26,1
41	10,5	26,9
42	10,8	27,7
43	11,0	28,4



**Print and measure  
the correct foot size.**

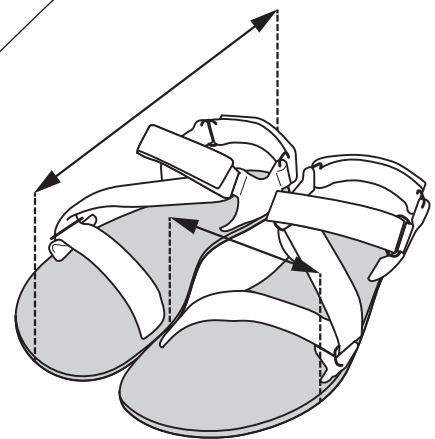
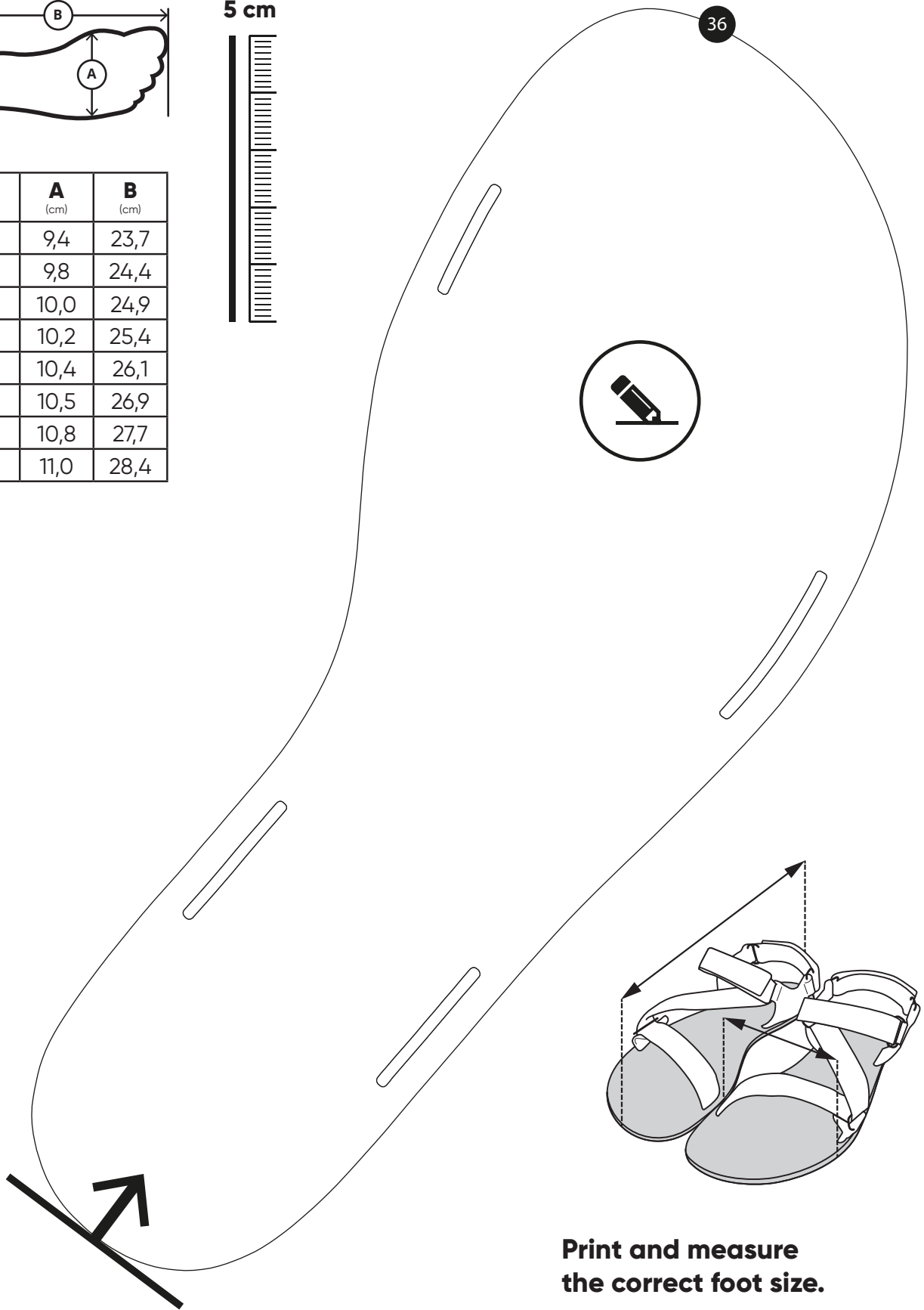
We recommend adding an excess of 0.5 - 1.2 cm to the total length of your foot, which will give you your ideal shoe size.



5 cm

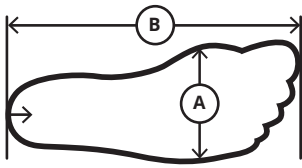


EU	A (cm)	B (cm)
<b>36</b>	9,4	23,7
<b>37</b>	9,8	24,4
<b>38</b>	10,0	24,9
<b>39</b>	10,2	25,4
<b>40</b>	10,4	26,1
<b>41</b>	10,5	26,9
<b>42</b>	10,8	27,7
<b>43</b>	11,0	28,4



**Print and measure  
the correct foot size.**

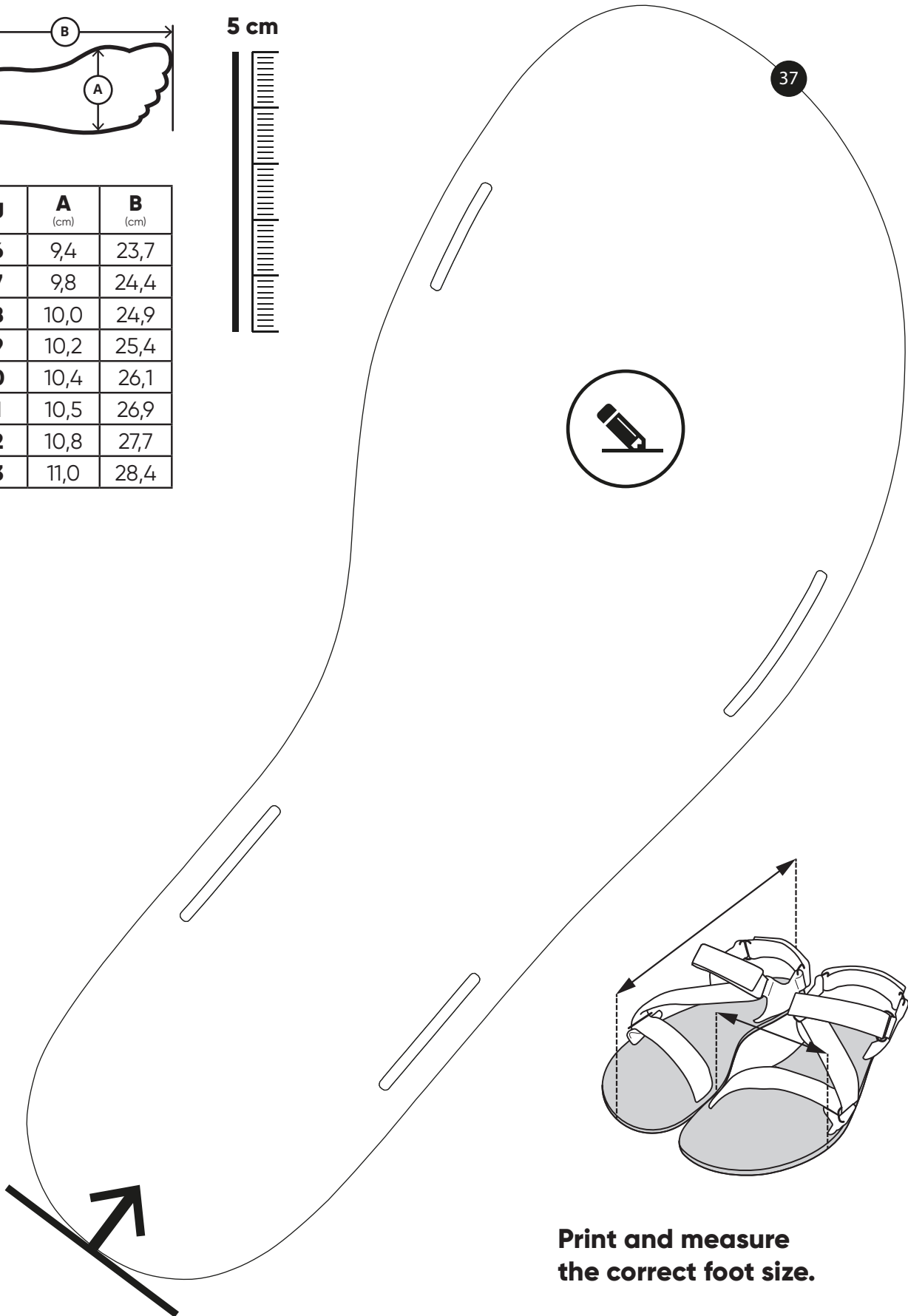
We recommend adding an excess of 0.5 - 1.2 cm to the total length of your foot, which will give you your ideal shoe size.



5 cm

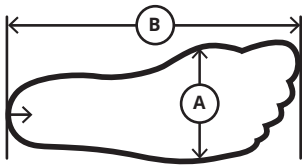


EU	A (cm)	B (cm)
<b>36</b>	9,4	23,7
<b>37</b>	9,8	24,4
<b>38</b>	10,0	24,9
<b>39</b>	10,2	25,4
<b>40</b>	10,4	26,1
<b>41</b>	10,5	26,9
<b>42</b>	10,8	27,7
<b>43</b>	11,0	28,4



**Print and measure  
the correct foot size.**

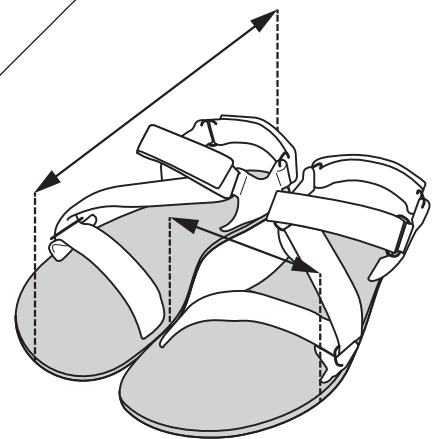
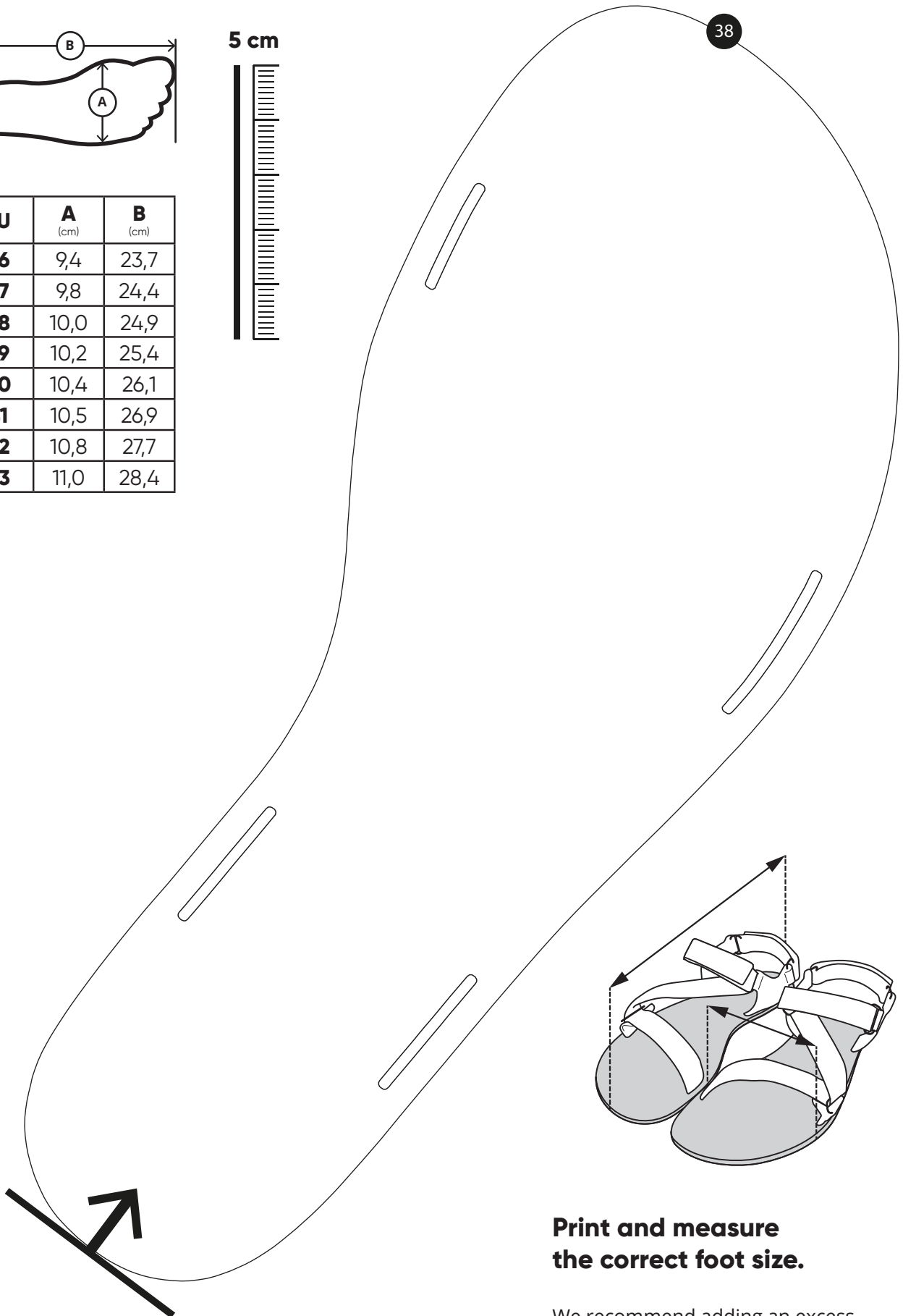
We recommend adding an excess of 0.5 - 1.2 cm to the total length of your foot, which will give you your ideal shoe size.



5 cm

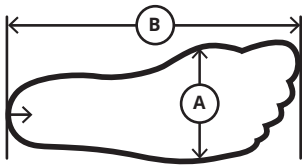


EU	A (cm)	B (cm)
<b>36</b>	9,4	23,7
<b>37</b>	9,8	24,4
<b>38</b>	10,0	24,9
<b>39</b>	10,2	25,4
<b>40</b>	10,4	26,1
<b>41</b>	10,5	26,9
<b>42</b>	10,8	27,7
<b>43</b>	11,0	28,4



**Print and measure  
the correct foot size.**

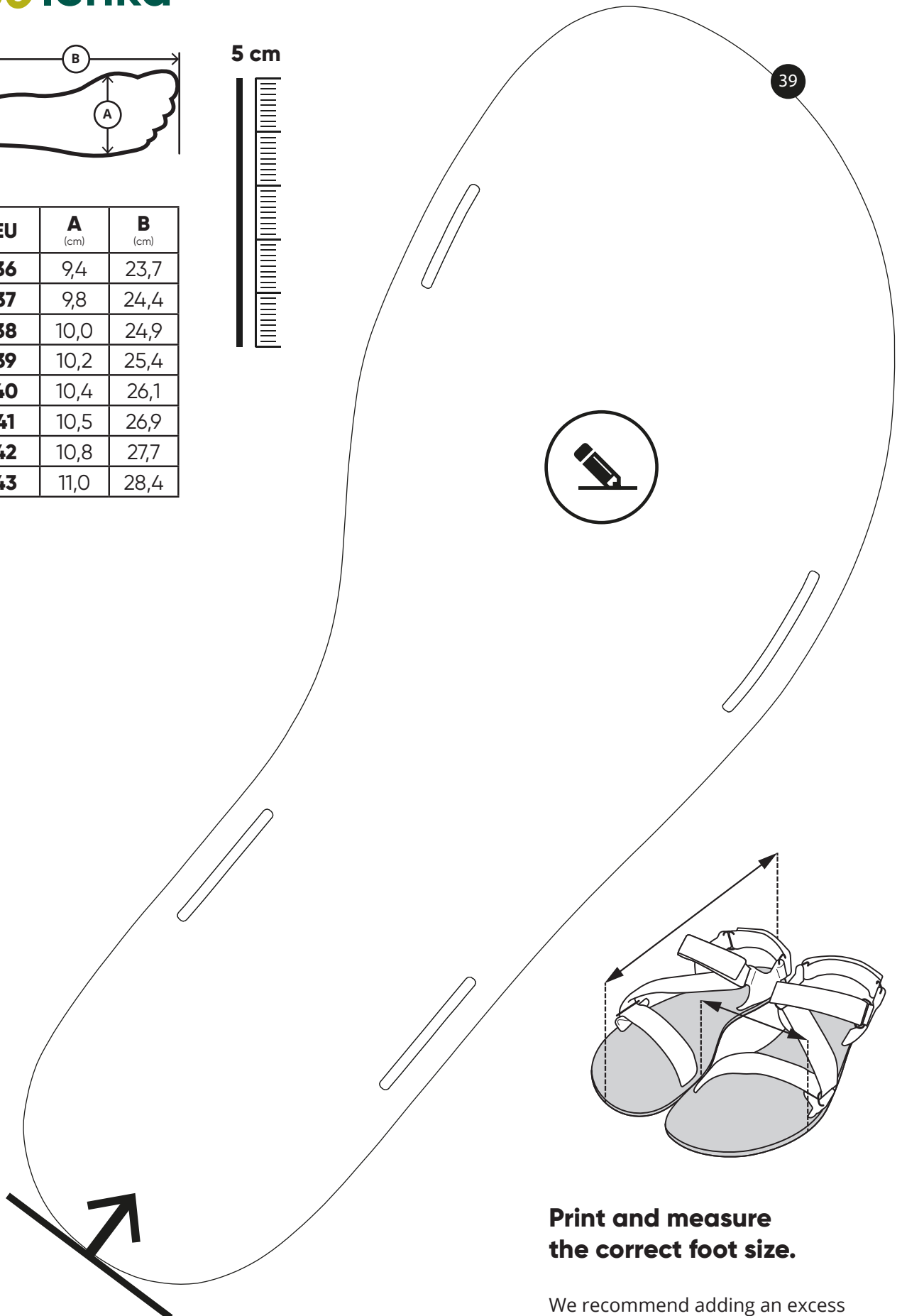
We recommend adding an excess of 0.5 - 1.2 cm to the total length of your foot, which will give you your ideal shoe size.



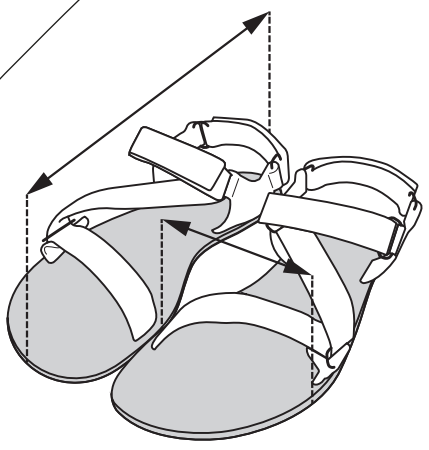
5 cm



EU	A (cm)	B (cm)
<b>36</b>	9,4	23,7
<b>37</b>	9,8	24,4
<b>38</b>	10,0	24,9
<b>39</b>	10,2	25,4
<b>40</b>	10,4	26,1
<b>41</b>	10,5	26,9
<b>42</b>	10,8	27,7
<b>43</b>	11,0	28,4

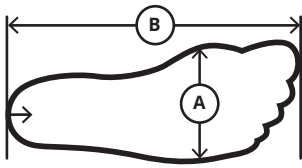


39



**Print and measure the correct foot size.**

We recommend adding an excess of 0.5 - 1.2 cm to the total length of your foot, which will give you your ideal shoe size.

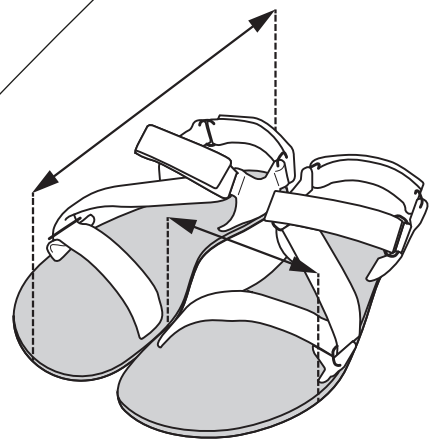


5 cm



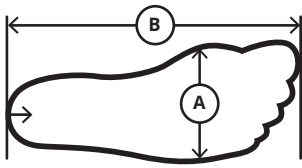
EU	A (cm)	B (cm)
<b>36</b>	9,4	23,7
<b>37</b>	9,8	24,4
<b>38</b>	10,0	24,9
<b>39</b>	10,2	25,4
<b>40</b>	10,4	26,1
<b>41</b>	10,5	26,9
<b>42</b>	10,8	27,7
<b>43</b>	11,0	28,4

40



**Print and measure  
the correct foot size.**

We recommend adding an excess of 0.5 - 1.2 cm to the total length of your foot, which will give you your ideal shoe size.

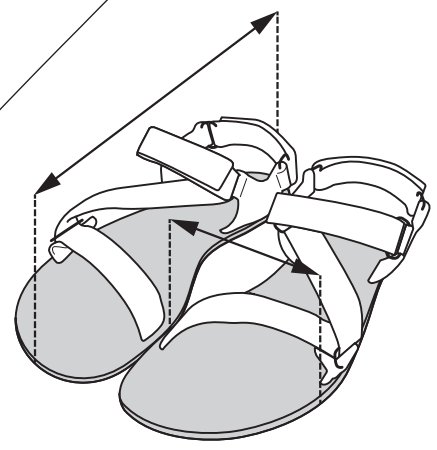


5 cm



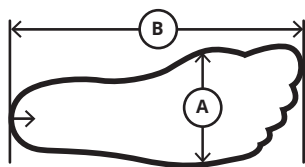
EU	A (cm)	B (cm)
36	9,4	23,7
37	9,8	24,4
38	10,0	24,9
39	10,2	25,4
40	10,4	26,1
41	10,5	26,9
42	10,8	27,7
43	11,0	28,4

41



**Print and measure the correct foot size.**

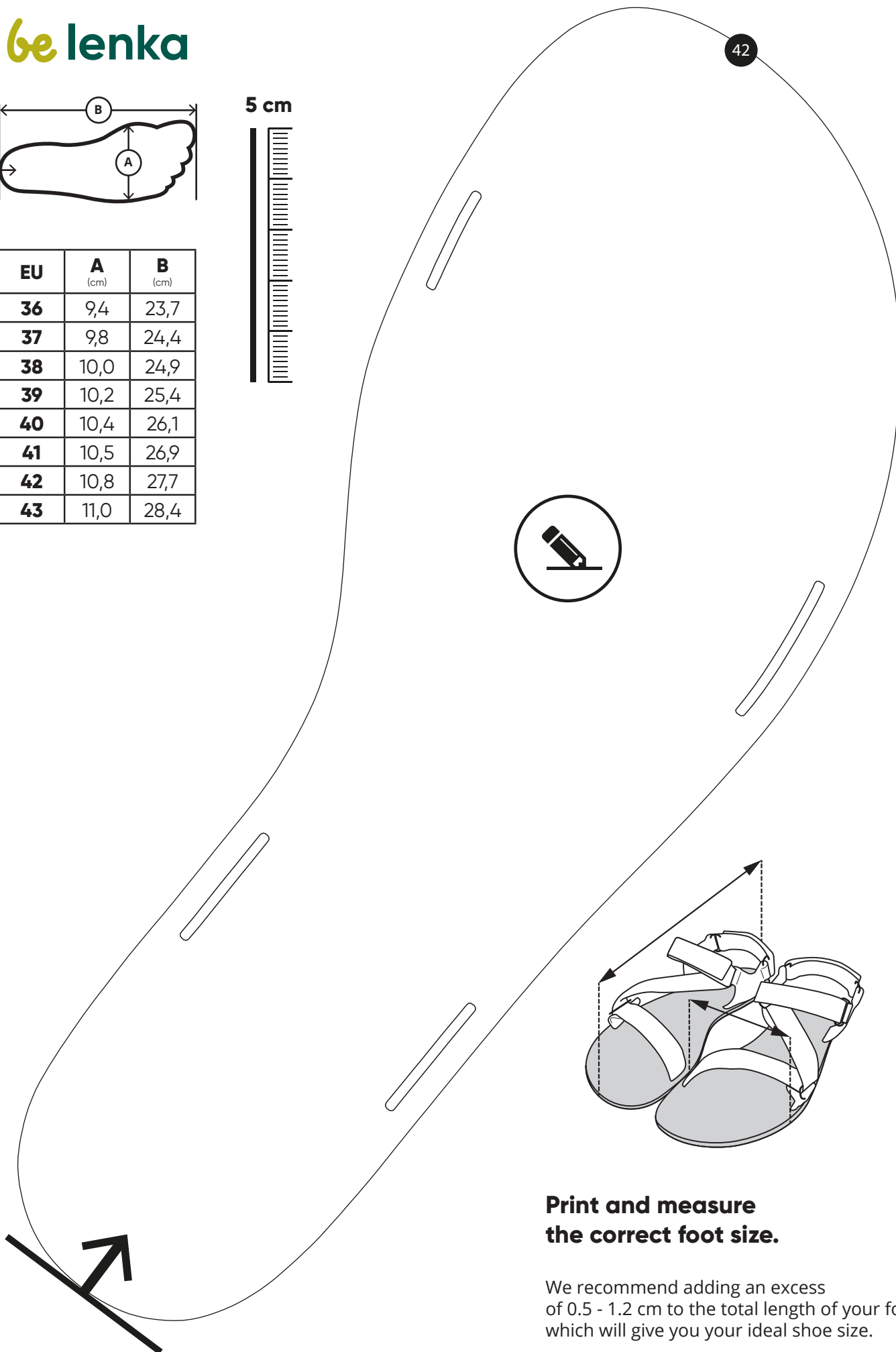
We recommend adding an excess of 0.5 - 1.2 cm to the total length of your foot, which will give you your ideal shoe size.



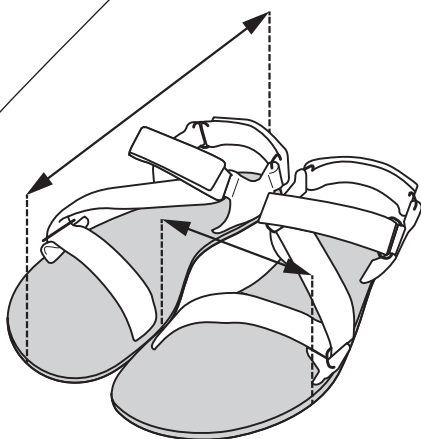
5 cm



EU	A (cm)	B (cm)
<b>36</b>	9,4	23,7
<b>37</b>	9,8	24,4
<b>38</b>	10,0	24,9
<b>39</b>	10,2	25,4
<b>40</b>	10,4	26,1
<b>41</b>	10,5	26,9
<b>42</b>	10,8	27,7
<b>43</b>	11,0	28,4



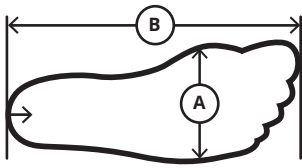
42



**Print and measure the correct foot size.**

We recommend adding an excess of 0.5 - 1.2 cm to the total length of your foot, which will give you your ideal shoe size.



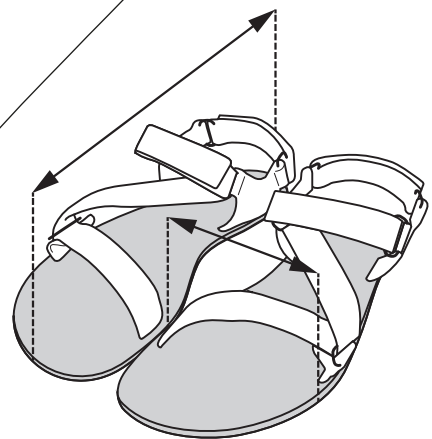


5 cm



EU	A (cm)	B (cm)
<b>36</b>	9,4	23,7
<b>37</b>	9,8	24,4
<b>38</b>	10,0	24,9
<b>39</b>	10,2	25,4
<b>40</b>	10,4	26,1
<b>41</b>	10,5	26,9
<b>42</b>	10,8	27,7
<b>43</b>	11,0	28,4

43



**Print and measure  
the correct foot size.**

We recommend adding an excess of 0.5 - 1.2 cm to the total length of your foot, which will give you your ideal shoe size.